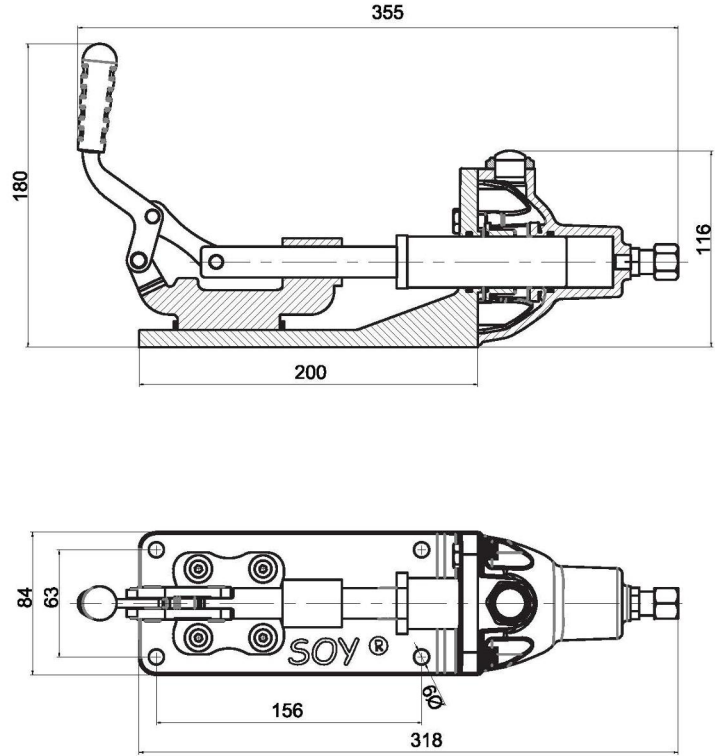
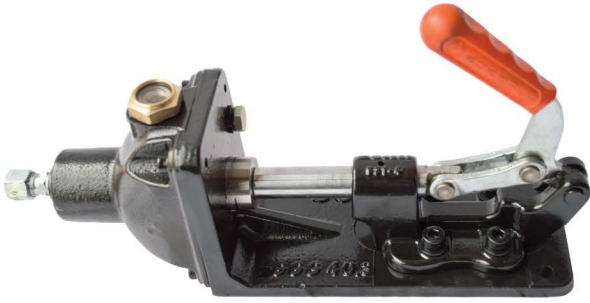


Hidrolik Ani Kapama Kolu / Hydraulic Remote Control



| NO | PARÇA ADI | PART NAME | MATERIAL |
|----|----------------|-----------|--------------|
| 1 | GÖVDE | BODY | GG 25 |
| 2 | ŞASI | CHASSIS | GG 25 |
| 3 | O-RİNG | O-RING | NBR |
| 4 | BURÇ | BUSH | Cu Zn 39 Pb3 |
| 5 | SİLİNDİR | CYLINDER | St 37 |
| 6 | KOL | LEVER | St 37 |
| 7 | ÇİVATA | BOLT | St 37 |
| 8 | TAPA | PLUG | AISI 304 |
| 9 | YAĞ GÖSTERGESİ | OIL EYE | Glass |
| 10 | SOMUN | NUT | St 37 |

UYGULAMA ALANLARI / APPLICATIONS

HİDROLİK OLARAK ÇALIŞTIRILAN VANALARIN UZAKTAN KUMANDASI İÇİN HİDROLİK POMPA ÜNİTESİ.
HYDRAULIC PUMP UNIT FOR REMOTE CONTROL OF HYDRAULICALLY OPERATED VALVES.
RECOMMENDED OILS / TAVSİYE YAĞLAR: SHELL TELLUS T15,T22